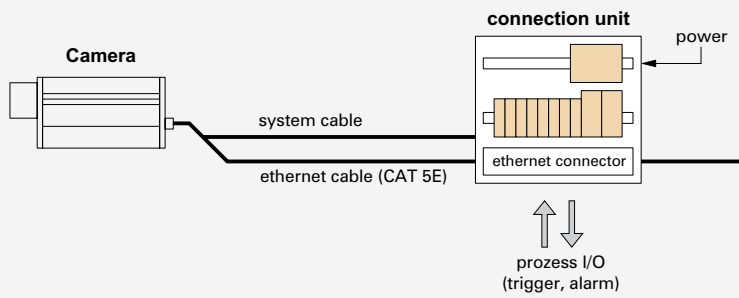


System Configuration

of Infrared Cameras **PYROVIEW** and **PYROLINE**

PYROVIEW compact and PYROLINE compact with Ethernet interface¹

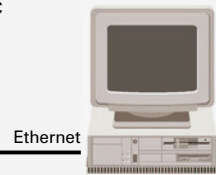


100 m max

stand-alone without PC

OR

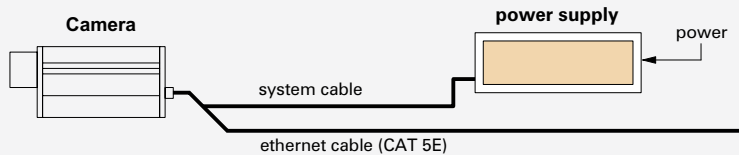
with PC



Ethernet

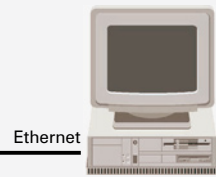
PC with ethernet interface

for programming or data visualization and process control



100 m max

with PC

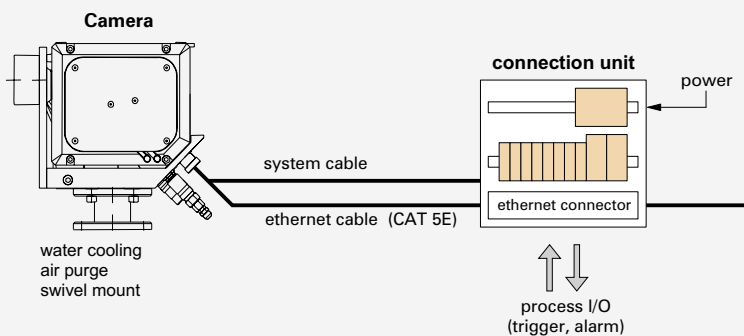


Ethernet

PC with ethernet interface

for programming or data visualization and process control

PYROVIEW and PYROLINE with Ethernet interface¹

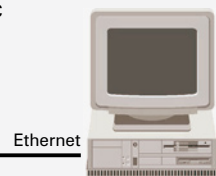


100 m max

stand-alone without PC

OR

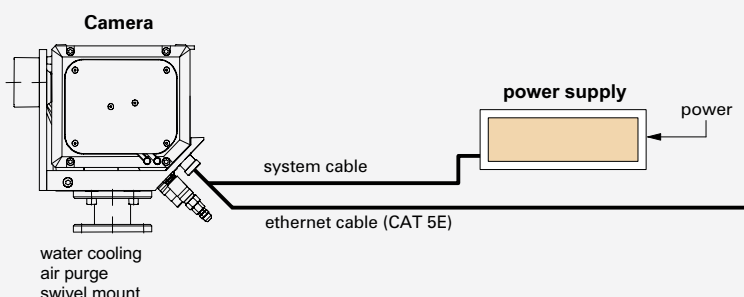
with PC



Ethernet

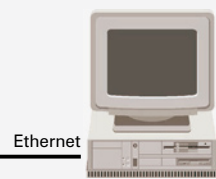
PC with ethernet interface

for programming or data visualization and process control



100 m max

with PC



Ethernet

PC with ethernet interface

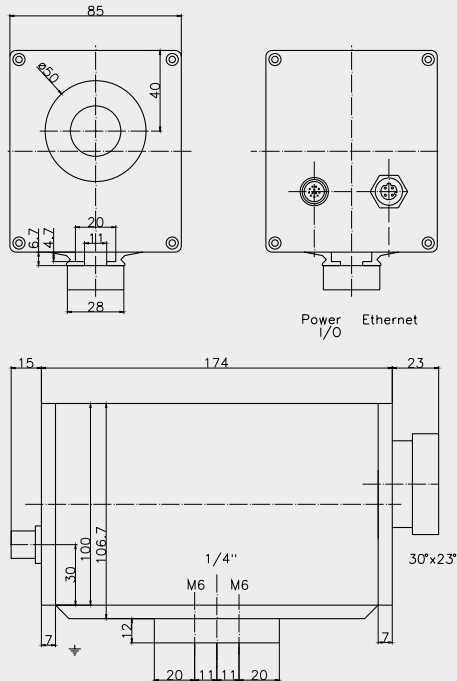
for programming or data visualization and process control

¹ Fast Ethernet, PYROVIEW 640L compact and PYROVIEW 640L with Gigabit-Ethernet.

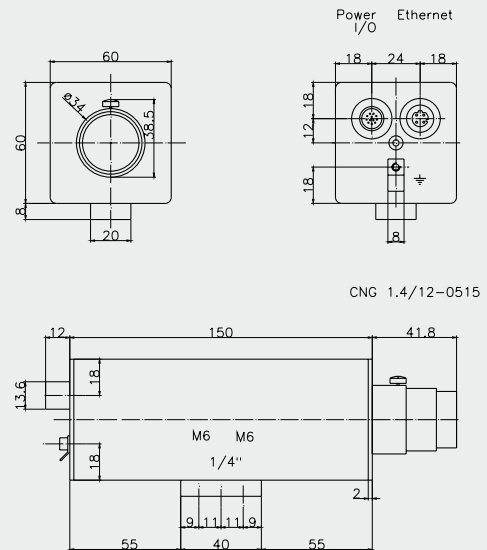
Drawings and Connections

of the Infrared Cameras **PYROLINE** and **PYROVIEW**

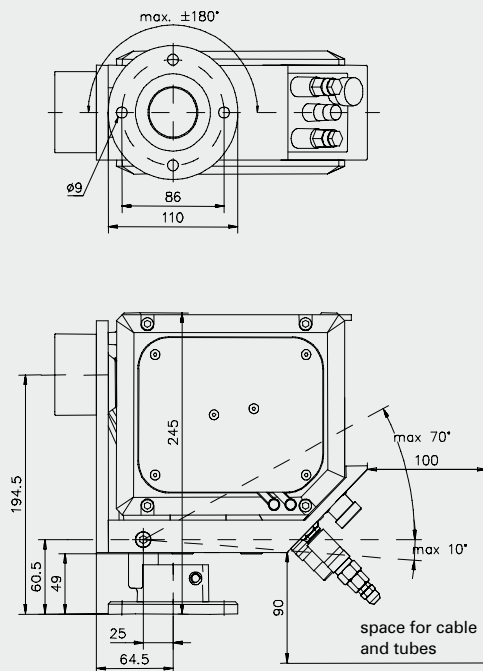
Drawings aluminium compact housing IP 54
except PYROVIEW 640N compact



Drawings stainless steel compact housing IP 54
PYROVIEW 640N compact



Drawings industrial housing IP 65
with mounting base, swivel



Connections industrial housing IP 65

